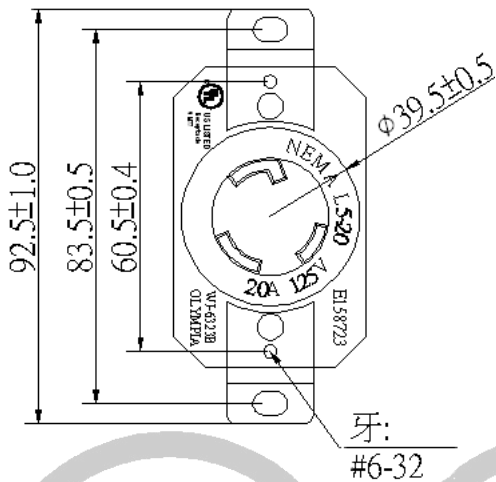


WJ-6323B



Product Specifications

Product Item	Single Receptacle Locking Type
Rating	2 Pole, 3 Wire Grounding 20A 125V AC
Configuration	NEMA L5-20
Color	Black
Contact Material	Brass
Terminal Screw Material	Brass
Ground Screw Material	Brass (Green)
Cover (Top) Material	P.B.T. (Poly Butylene Terephthalate)UL 94 V-0
Base Material	P.B.T. (Poly Butylene Terephthalate)UL 94 V-0
Operating Temperatures	Maximum Continuous 65°C, Minimum -20°C (w/o impact)
Standards and Certifications	UL/cUL Listed to UL498 File E158723
RoHS Compliant	Yes